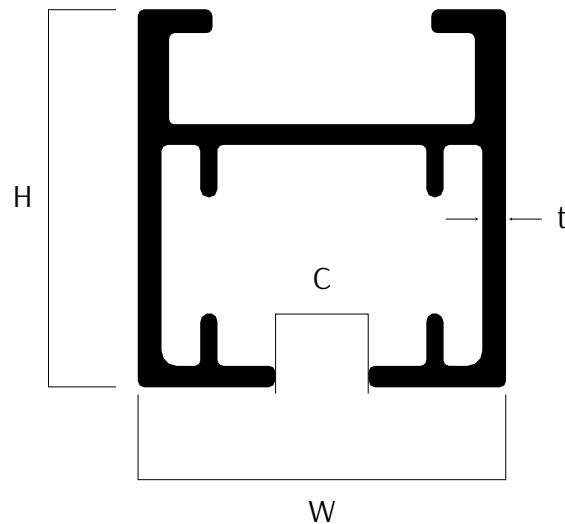




DPFH Heavy Track - Window Curtain Track Specifications

Designed for heavy-duty applications, the Heavy Track is a robust solution for hanging heavyweight curtains. Whether it's for residential or commercial use, the Heavy Track is the ideal choice for those seeking a reliable and durable solution for their curtain hanging needs.



(All Dimensions are in millimeter.)

Length	W	H	C	T
4.58m/15ft.	24.35	25.00	6.20	1.50

Summary of Profile

Dimensions: 24.35mm(W) x 25.00mm(H)

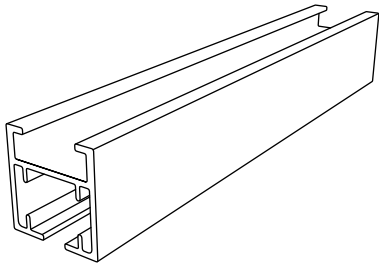
Material: Aluminium Alloy - 6063-T6 (HE9WP)

Length: 4.58m/15ft.

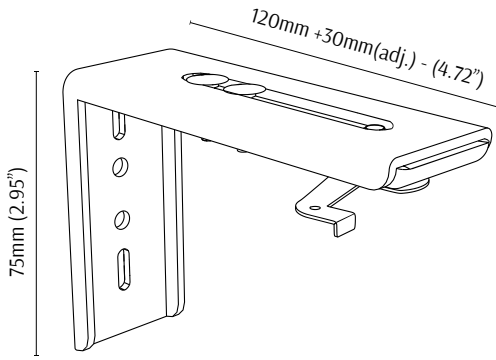
Weight: 0.421kg/m

Tensile Strength: 215MPA

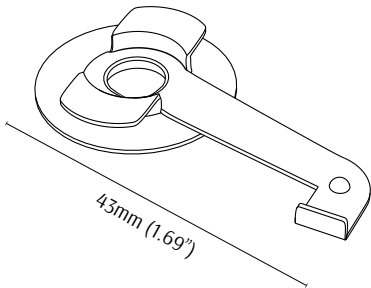
Color: Signal White, Glossy Ivory, Brown, Light Gray, Black



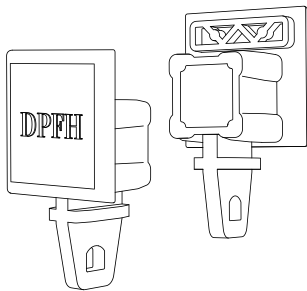
Heavy Track Channel (H001)
Aluminium Extruded, Powder Coated,
Heavy Duty Channel to Carry Heavyweight Curtains.



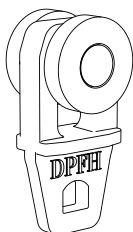
Heavy Track Wall Mount (H002)
Adjustable Heavy-Duty Single Wall Mounting Bracket to Carry Heavyweight
Curtain of any Type or Style.



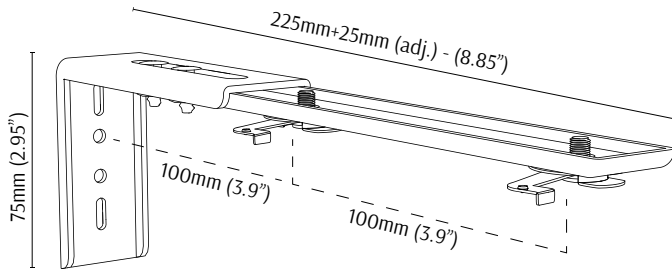
Heavy Track Ceiling Mount (H003)
MS, Powder Coated, Swivel Bracket for Ceiling installations.



Heavy Track "Screw-less" End Caps (H004)
In POM Material, DPFH Screw-Less Push System End-Cap Available for
Quick Installation.

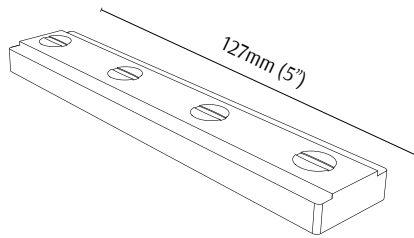


Heavy Track Standard Runner (H005)
In POM Material, Highly-Durable and Smooth, Curtain Track Runner
for Pleat type Curtains.



Heavy Track 2-Track Holder for Pleat Curtains (H006)

MS, Powder Coated, Heavy-duty Adjustable, Double Track Wall Mount to Carry Two Heavyweight and/or Medium-Weight Curtains Simultaneously.



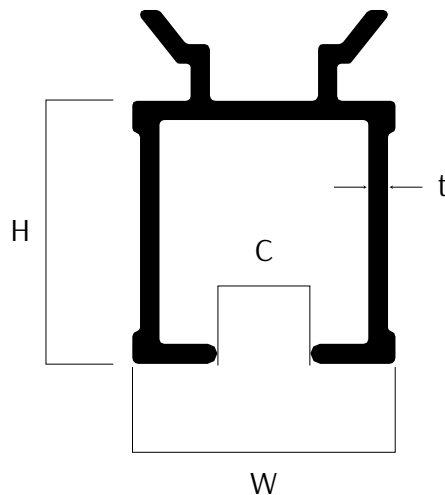
Heavy Track Joiner (H008)

Join Two Separate Curtain Tracks Together to Create One Long Piece.



DPFH Power Track - Window Curtain Track Specifications

The Power Track is a renowned product in the Indian market, known for its functional and highly durable properties. Made from premium quality aluminum and featuring a sturdy "C" section design, this Window Curtain Channel is a standard choice in our industry. With its powder-coated finish, the Power Track offers long-lasting performance, making it a reliable option for any curtain installation project.



(All Dimensions are in millimeter.)

Length	W	H	C	T
4.58m/15ft.	17.40	23.40	6.20	1.25

Summary of Profile

Dimensions: 17.40mm(W) x 23.40mm(H)

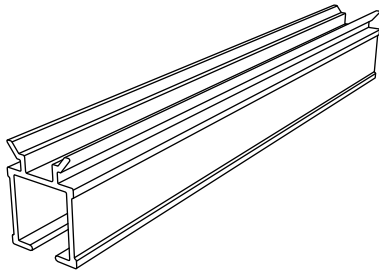
Material: Aluminium Alloy - 6063-T6 (HE9WP)

Length: 4.58m/15ft.

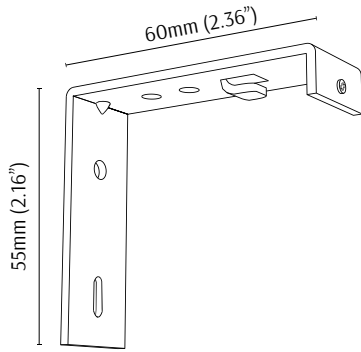
Weight: 0.254kg/m

Tensile Strength: 215MPA

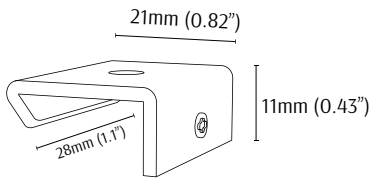
Color: Signal White, Glossy Ivory, Brown, Light Gray, Black



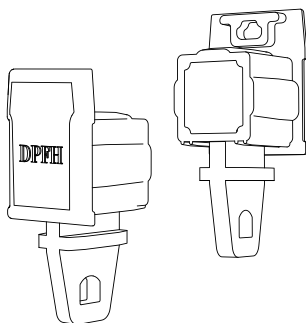
Power Track Channel (P001)
Aluminium Extruded, Powder Coated,
Functional Channel to Carry Medium-Weight Curtains.



Power Track Wall Mount (P002)
MS, Powder Coated, L-Type Wall Mount for Single Layer Curtain
Fittings.



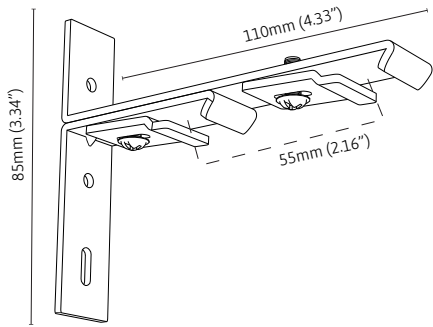
Power Track Ceiling Mount (P003)
MS, Powder Coated, Compact Bracket for Ceiling installations.



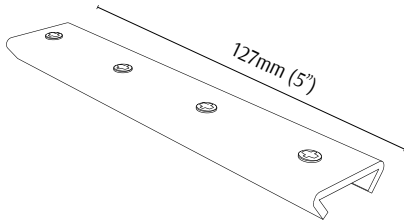
Power Track "Screw-less" End Caps (P004)
In POM Material, DPFH Screw-Less Push System End-Cap available for
Quick Installation.



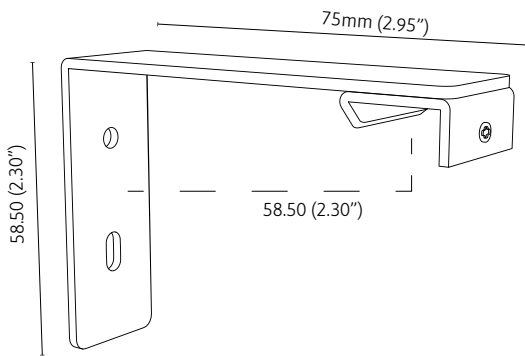
Power Track Standard Runner (P005)
In POM Material, Highly-Durable and Smooth, Curtain Track Runner
for Pleat type Curtains.



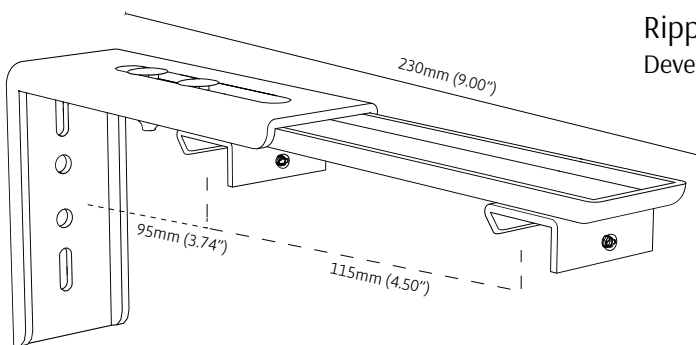
Power Track 2-Track Holder for Pleat Curtains (P006)
 MS, Powder Coated, 2-Track Wall Mount to Carry Two Medium-Weight or Lightweight Curtains Simultaneously.



Power Track Jointer (P008)
 Join Two Separate Curtain Tracks Together to Create One Long Piece.



New Power Track Wall Holder (P009)
 Wall Mount for Wave Curtain Solutions.

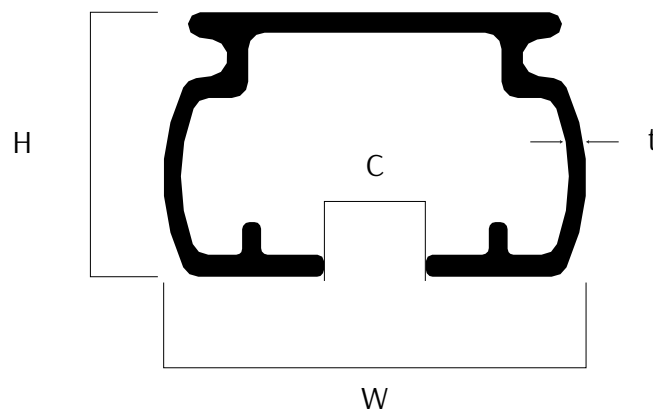


Ripple Double Track Wall Holder for Power Track (RDH-PT01)
 Developed to carry Wave Curtains.



DPFH M-Track - Window Curtain Track Specifications

Introducing the M-Track, an Aluminum Press Extruded, Powder Coated, "C" Section Window Curtain Channel that combines elegant design with protective properties. With its chic aesthetics and versatile functionality, the M-Track is suitable for a wide range of applications, making it the perfect choice for any window treatment project.



(All Dimensions are in millimeter.)

Length	W	H	C	T
4.58m/15ft.	25.66	16.10	6.20	1.00

Summary of Profile

Dimensions: 25.66mm(W) x 16.10mm(H)

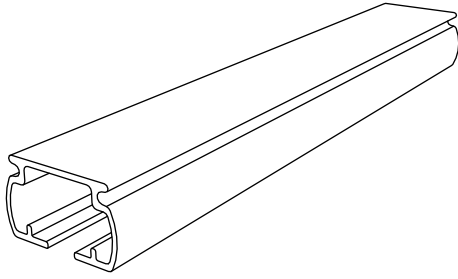
Material: Aluminium Alloy - 6063-T6 (HE9WP)

Length: 4.58m/15ft.

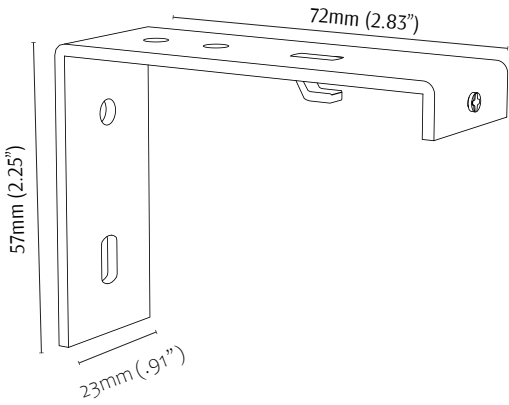
Weight: 0.248kg/m

Tensile Strength: 215MPA

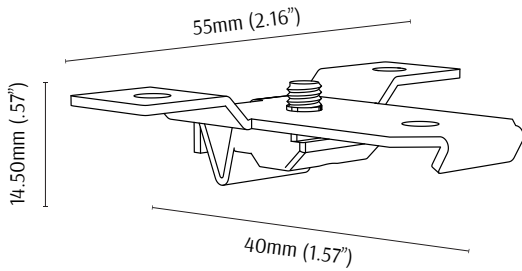
Color: Signal White, Glossy Ivory, Brown, Light Gray, Black



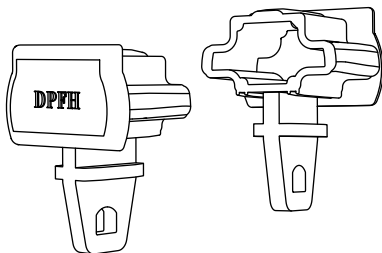
M-Track Channel (M001)
Aluminium Extruded, Powder Coated,
Functional Channel to Carry Medium-Weight Curtains.



M-Track Wall Mount (M002)
MS, Powder Coated, L-Type Wall Mount for Single Layer Curtain Fittings.



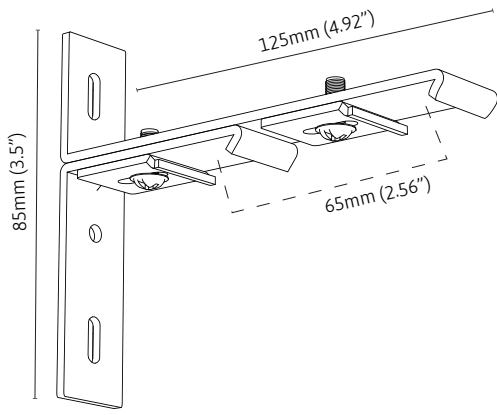
M-Track Ceiling Mount (M003)
MS, Powder Coated, Click System Fittings for Ceiling installations.



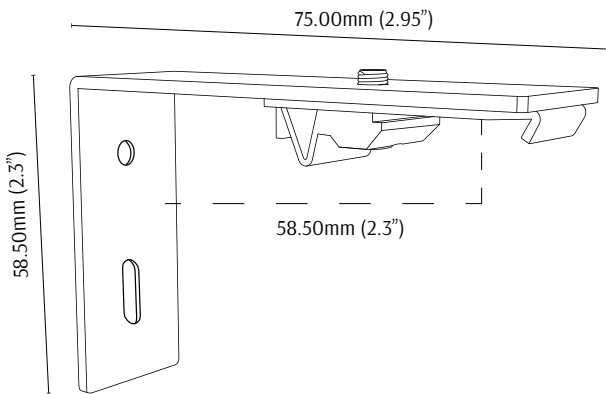
M-Track "Screw-less" End Caps (M004)
In POM Material, DPFH Screw-Less Push System End-Cap available for Quick Installation.



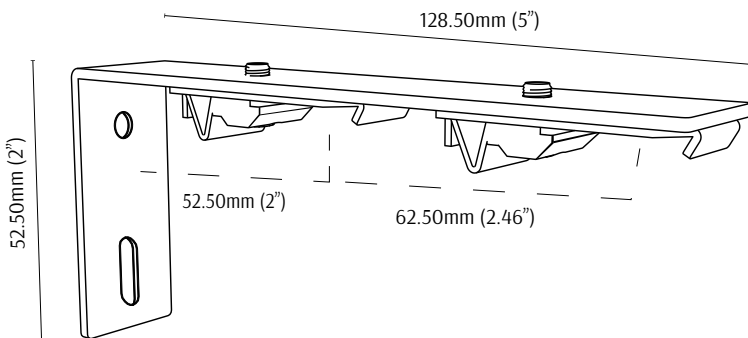
M-Track Standard Runner (M005)
In POM Material, Highly-Durable and Smooth, Curtain Track Runner for Pleat type Curtains.



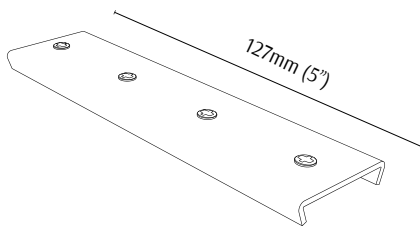
M-Track 2-Track Holder for Pleat Curtains (M006)
 MS, Powder Coated, 2-Track Wall Mount to Carry Two Medium-Weight or Lightweight Curtains Simultaneously.



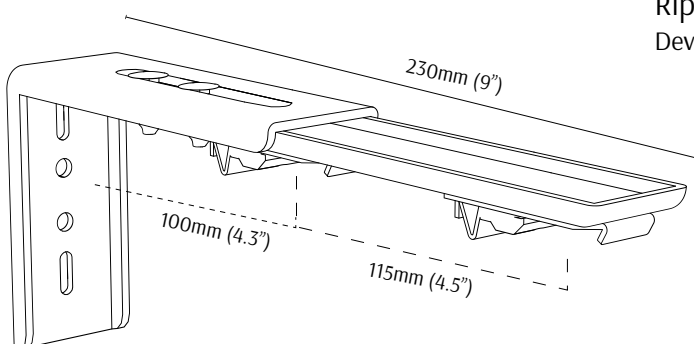
New M-Track Wall Holder (M008)
 Click System Wall Mount for Convenient Installation Purpose.



New M-Track 2 Track Holder (M009)
 Click System 2 Track Wall Mount for Convenient Installation Purpose.



M-Track Jointer (M011)
 Join Two Separate Curtain Tracks Together to Create One Long Piece.

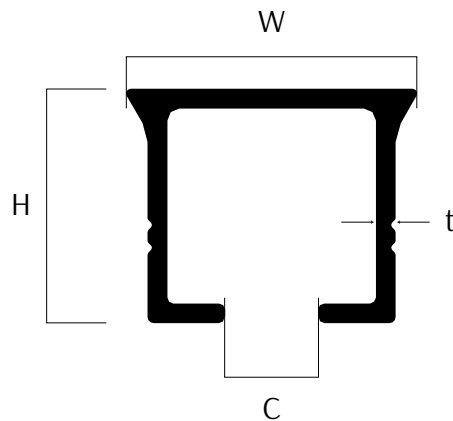


Ripple Double Track Wall Holder for M-Track (RDH-MT01)
 Developed to carry Wave Curtains.



DPFH C-Track - Window Curtain Track Specifications

Introducing the C-Track, a compact and versatile Window Curtain Channel that is perfect for Lightweight curtains or shears.



(All Dimensions are in millimeter.)

Length	W	H	C	T
4.58m/15ft.	19.25	15.50	6.20	1.25

Summary of Profile

Dimensions: 19.25mm(W) x 15.50mm(H)

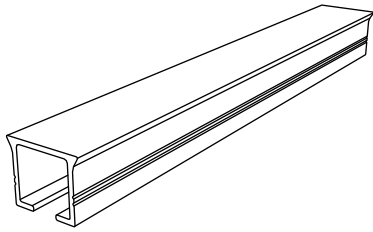
Material: Aluminium Alloy - 6063-T6 (HE9WP)

Length: 4.58m/15ft.

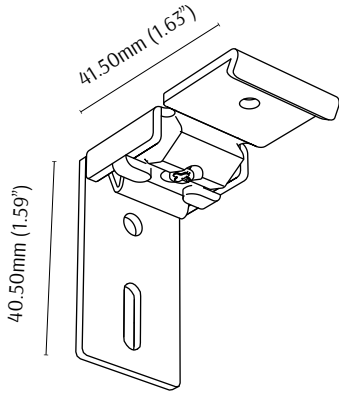
Weight: 0.188kg/m

Tensile Strength: 215MPA

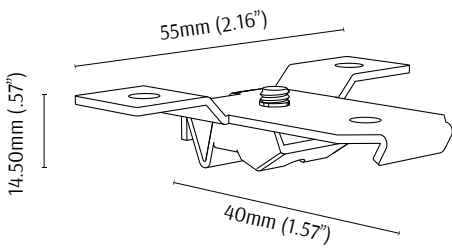
Color: Signal White, Glossy Ivory, Brown, Light Gray, Black



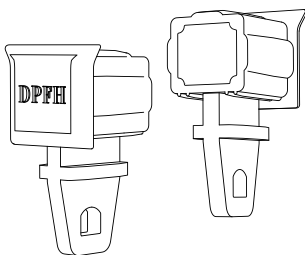
C-Track Channel (C001)
Aluminium Extruded, Powder Coated,
Compact Channel to Carry Lightweight Curtains.



C-Track Wall Mount (C002)
MS, Powder Coated, Click System Wall Mount for single layer standard pleat curtains.



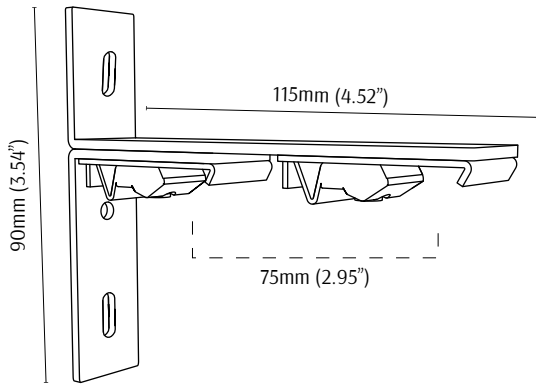
C-Track Ceiling Mount (C003)
MS, Powder Coated, Click System Fittings for Ceiling installations.



C-Track "Screw-less" End Caps (C004)
In POM Material, DPFH Screw-Less Push System End-Cap Available for Quick Installation.

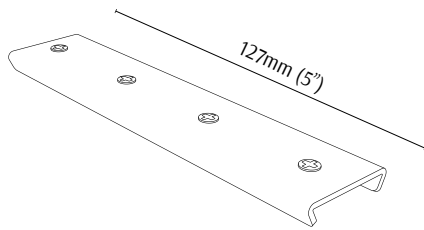


C-Track Standard Runner (C005)
In POM Material, Highly-Durable and Smooth, Curtain Track Runner for Pleat type Curtains.



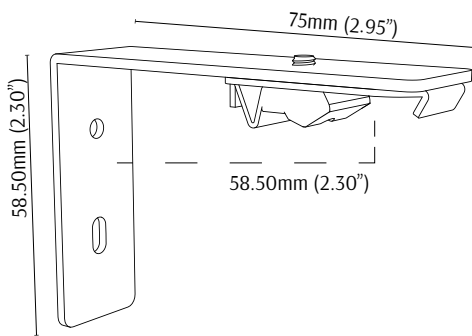
C-Track 2-Track Holder for Pleat Curtains (C006)

MS, Powder Coated, 2-Track Wall Mount to Carry Two Lightweight Curtains Simultaneously.



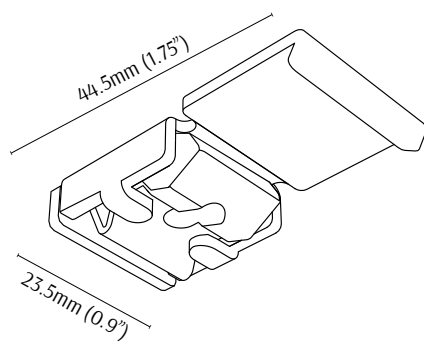
C-Track Jointer (C008)

Join Two Separate Curtain Tracks Together to Create One Long Piece.



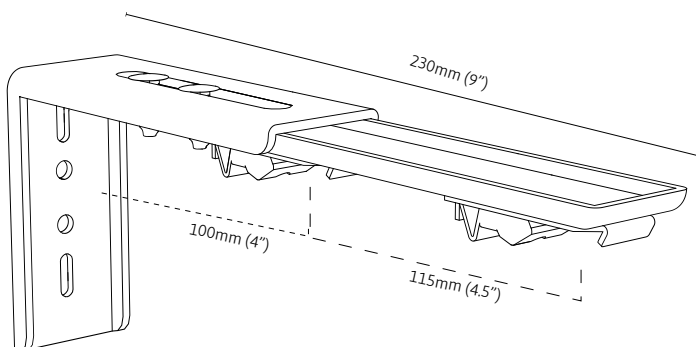
New C-Track Wall Holder (C009)

Click System Wall Mount for Convenient Installation Purpose.



New C-Track Ceiling Holder (C010)

Click System Ceiling Mount for Convenient Installation Purpose.



Ripple Double Track Wall Holder for C-Track (RDH-CT01)

Developed to carry Wave Curtains.